

Country Estates™ and Country Mansion® Application Instructions

Information Sheet

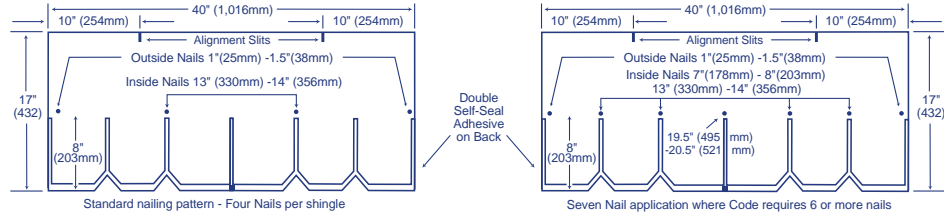
Updated: 2002



*Quality You Can Trust Since 1886...
From North America's Largest Roofing Manufacturer™*

APPLICATION INSTRUCTIONS

These shingles must be nailed a nominal 8" (203mm) from bottom of shingles as shown, to allow for penetration on through the double ply area just above the tabs. Nails must remain unexposed.



GENERAL INSTRUCTIONS

- **ROOF DECKS:** For use on new or reroofing work over well-seasoned, supported wood deck, tightly-constructed with maximum 6" (152mm) wide lumber, having adequate nail-holding capacity and smooth surface. Plywood decking as recommended by The Engineered Wood Assn. is acceptable. Plywood decks for Class A installations must be 3/8" (10mm) thick or greater with underlayers as noted below. Shingles must not be fastened directly to insulation or insulated deck unless authorized in writing by GAF Materials Corporation. Roof decks and existing surfacing material must be **dry** prior to application of shingles.
- **UNDERLAYMENT:** Underlayment beneath shingles has many benefits, including preventing wind driven rain from reaching the interior of the building and preventing sap in some wood decking from reacting with asphalt shingles. Underlayment is also required by many code bodies. Consult your local building department for its requirements. Where an underlayment is to be installed, a breather-type underlayment such as GAFMC's Shingle-Mate® underlayment is recommended. Underlayment must be installed flat, without wrinkles.
- **FASTENERS:** Use of nails is recommended. Use only zinc coated steel or aluminum, 10-12 gauge, barbed, deformed, or smooth shank roofing nails with heads 3/8" (10mm) to 7/16" (12mm) in diameter. Fasteners should be long enough to penetrate at least 3/4" (19mm) into wood decks or just through the plywood decks. Fasteners must be driven flush with the surface of the shingle. Over driving will damage the shingle. Raised fasteners will interfere with the sealing of the shingles. For normal installation, a minimum of four fasteners must be installed per shingle, approximately 8" (203mm) up from the bottom of the shingle, to penetrate both layers of the shingle. Fasteners must be installed approximately 1"-1.5" (25-38mm) and 13"-14" (330-356mm) from each side just above cutouts.
- **WIND RESISTANT:** These shingles have a special thermal sealant that firmly bonds the shingles together after application when exposed to sun and warm temperatures. Shingles installed in Fall or Winter may not seal until the following Spring. If shingles are damaged by winds before sealing or are not exposed to adequate surface temperatures, or if the self-sealant gets dirty, the shingles may never seal. Failure to seal

under these circumstances results from the nature of self-sealing shingles and is not a manufacturing defect. To insure immediate sealing, apply 5 dabs of roof cement, about the size of a quarter, on the back of each shingle, as follows: on the end tabs, up 1" (25mm) and in 1" (25mm); up 1" (25mm) and centered on the 3 remaining tabs (note that the center tab is a double width). The shingle must be pressed firmly into the adhesive. For maximum wind resistance along rakes, cement shingles to underlayment and each other in a 4" (102mm) width of asphalt plastic roof cement.

NOTE: Application of excess tab adhesive can cause blistering of the shingle. The film strip on the back of each shingle is to prevent sticking together of the shingles while in the bundle. Its removal is NOT required during application.

- **CANADIAN COLD WEATHER APPLICATIONS:** CSA A123.5-M90 mandates that shingles applied between September 1 and April 30 shall be adhered with a compatible field-applied adhesive. See Wind Resistant for GAF Materials Corporation's recommendations for the application of that adhesive.

- **MANSARD AND STEEP SLOPE APPLICATIONS:** For roof slopes greater than 21° (1750mm/m) per foot (do not use on vertical side walls), shingle sealing must be enhanced by hand sealing. After fastening the shingle in place, apply 5 dabs of roof cement following above Wind Resistant instructions. The shingle must be pressed firmly into the adhesive.

- **EXPOSURE:** 7-1/2" (191mm)

- **THROUGH VENTILATION:** All roof structures must be provided with through ventilation to prevent entrapment of moisture laden air behind roof sheathing. Proper ventilation is also necessary to help prevent mold growth. Ventilation provisions must at least meet or exceed current F.H.A., H.U.D., or local code minimum requirements.

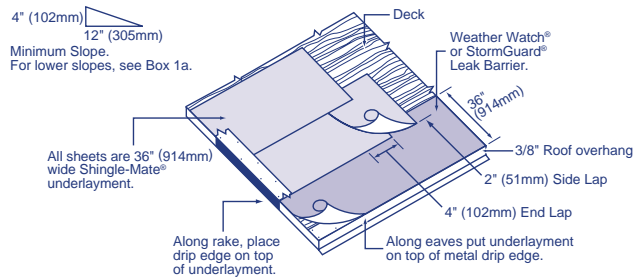
- **NONCORRODING METAL DRIP EDGES:** Recommended along rake and eave edges on all decks, especially plywood decks.

- **ASPHALT PLASTIC CEMENT:** For use as shingle tab adhesive. Must conform to ASTM D4586 Type I or II.

1 Underlayment: Standard Slope 4/12 (333mm/m) or more

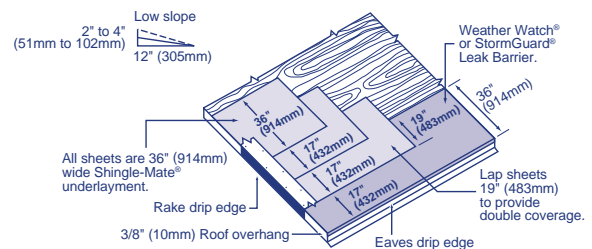
Application of underlayment: Cover deck with one layer of underlayment installed without wrinkles. Use only enough nails to hold underlayment in place until covered by shingles.

Application of eave flashing: Install eave flashing such as GAF Materials Corporation Weather Watch® or StormGuard® Leak Barriers in localities where leaks may be caused by water backing up behind ice or debris dams. Eave flashing must overhang the roof edge by 3/8" (10mm) and extend 24" (610mm) beyond the inside wall line.



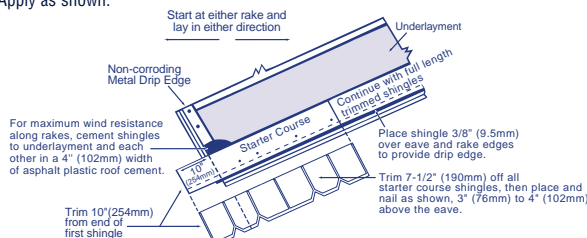
1a Underlayment: Low Slope 2/12-4/12 (167-333mm/m)

Application of underlayment and eave flashing: Completely cover the deck with two layers of underlayment as shown. Use only enough nails to hold underlayment in place until covered by shingles. Use blind nailing for eave flashings. At eaves and where ice dams can be expected, use one layer of GAF Materials Corporation Weather Watch® or StormGuard® Leak Barrier. Eave flashing must overhang the roof edge by 3/8" (10mm) and extend 24" (610mm) beyond the inside wall line. Where ice dams or debris dams are not expected, install 2 piles of Shingle-Mate underlayment.



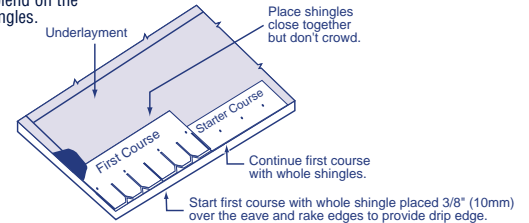
2 Starter Course

Apply as shown.

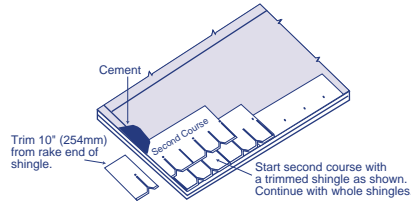


3 First Course

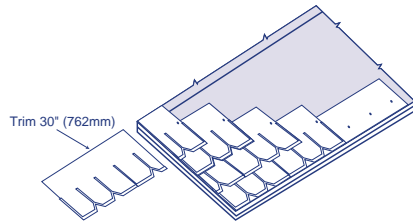
Start and continue with full shingles laid flush with the starter course. Shingles may be laid from left to right or right to left. DO NOT lay shingles straight up the roof since this procedure can cause an incorrect color blend on the roof and may damage shingles.



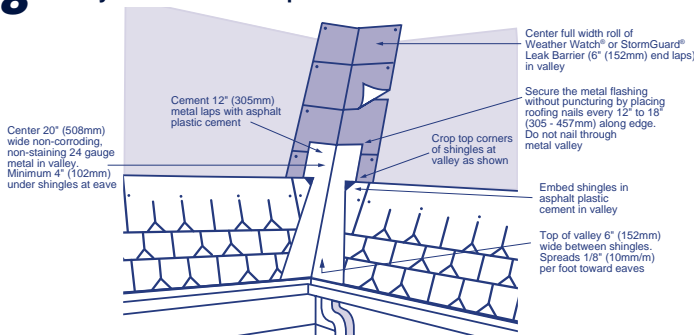
- 4 Application of Second Course**
Trim 10" (254mm) from rake end of shingle at alignment slit. Position shingle on top of cut-outs of underlying shingles so that there will be 7-1/2" (191mm) of each shingle exposed. Strike a chalk line every 3-4 courses to check for parallel alignment with eaves.



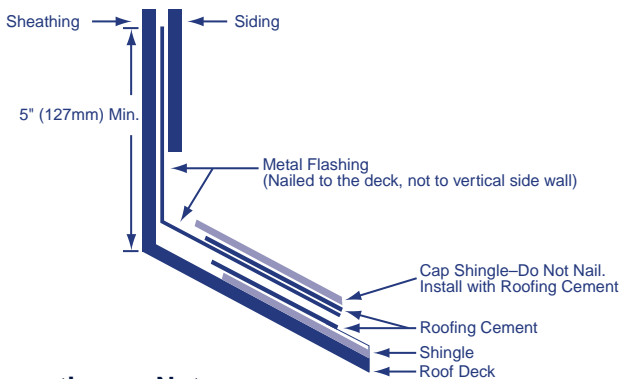
- 6 Application of Fourth Course and Subsequent Courses**
Align with alignment slit of previous course and trim 30" (762mm). Fifth and additional courses, repeat steps 3-6.



- 8 Valley Construction - Open**



- 10 Wall Flashing**



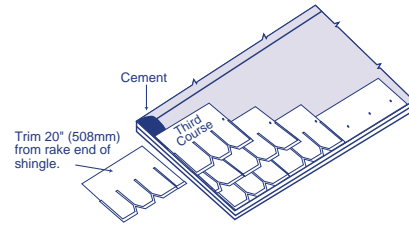
Precautionary Notes

Country Estates® and Country Mansion® are fiberglass, self-sealing asphalt shingles. Because of the natural characteristics of the high quality waterproofing material used, these shingles will be stiff in cold weather and flexible in hot weather.

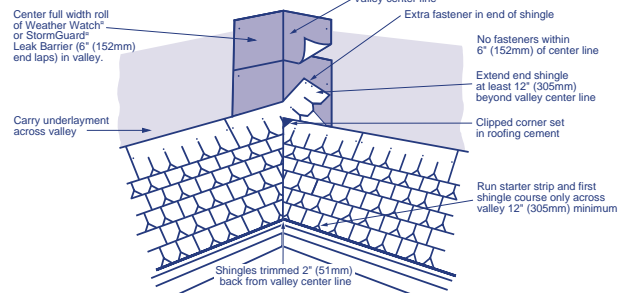
- Do not drop bundles on edge, over the ridge, or on other bundles to separate shingles.
- Handle carefully. Shingles can easily be broken in cold weather or their edges damaged in hot weather.
- All exposed materials must be of Class A type.
- Store in a covered, ventilated area—maximum temperature 110°F (43°C). Store on flat surface and use weight equalization boards if pallets are to be double stacked. Shingles must be protected from weather when stored at job site. Do not store near steam pipes, radiators, etc., or in sunlight. All rolled product must be stored on ends.
- If shingles are to be applied during PROLONGED COLD periods or in areas where airborne dust or sand can be expected before sealing occurs, the shingles MUST be hand sealed. See Wind Resistant instructions.

IMPORTANT: Repair leaks promptly to avoid adverse effects, including mold growth.

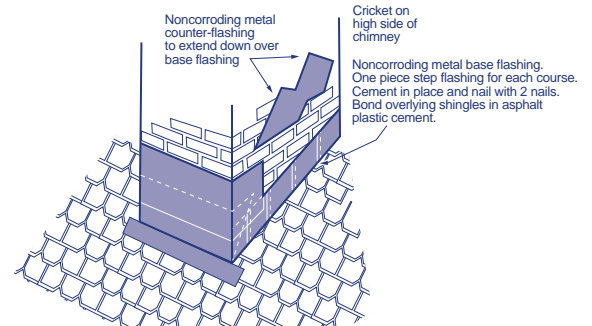
- 5 Application of Third Course**
Align with alignment slit of previous course and trim 20" (508mm).



- 7 Valley Construction - Closed Cut**

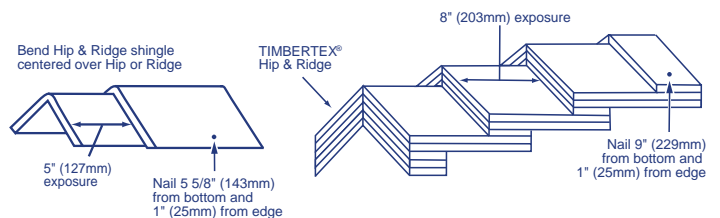


- 9 Chimney flashing**



- 11 Hip and Ridge Shingles**

Install GAF Materials Corporation's TIMBERTEX® Hip & Ridge Shingles as shown. Apply laps away from prevailing wind direction. Follow application instructions on TIMBERTEX® wrapper.



Re-Roofing

If old asphalt shingles are to remain in place, nail down or cut away all loose, curled or lifted shingles; replace with new; and, just before applying the new roofing, sweep the surface clean of all loose debris. Since any irregularities may show through the new shingles, be sure the underlying shingles provide a smooth surface. Fasteners must be of sufficient length to penetrate the wood deck at least 3/4" (19mm) or just through plywood. Follow other above instructions for application.

Note: Shingles can be applied over wood shingles when precautions have been taken to provide an acceptable smooth surface. This includes cutting back old shingles at eaves and rakes, and installing new wood edging strips as needed. Make surface smooth and use beveled wood strips if necessary. Install #30 underlayment to maintain Class A rating.

This product is sold with an express LIMITED WARRANTY only. A copy of the LIMITED WARRANTY stating its terms and restrictions is printed on the product wrapper or may be obtained from the distributor of this product or directly from GAF Materials Corporation. Any deviation from printed instructions shall be the responsibility of applicator and/or specifier.